

BabyView Flex

SEW-3048W



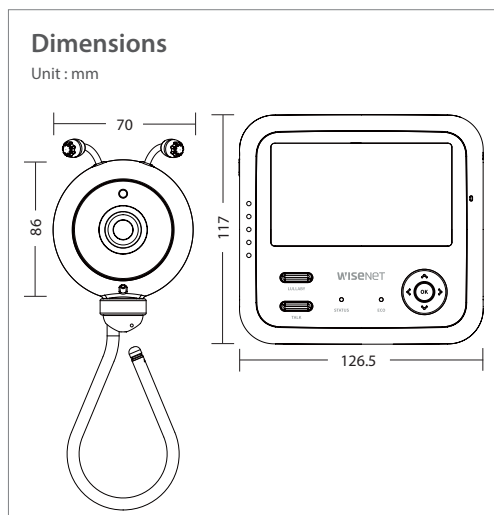
SEB-102CRW

Key Features

- 4.3" display monitor with simple UI
- Easy Installation with a flexible stand
- VOX and ECO Mode
- Long lasting monitor battery (max. 6hrs)
- Long RF communication range
- Two-Way Talk
- Feed Time and Room Temperature display and alert
- 7 pre-programmed lullabies and white noises

Package Contents

- BabyView Flex Camera and Monitor
- Camera / Monitor adapters (2EA)
- EU plug (2EA) and UK plug (2EA)
- Mount Holder (1EA) / Screw (2EA)
- User Manual / Warranty Card



SEW-3048W

SYSTEM GENERAL

Operating Frequency Range	2400 MHz~2483.5 MHz
Type of Spread Spectrum TX	FHSS
Type of Modulation	GFSK
Number of Camera Support	Up to 4 cameras
Data Rate	4Mbps
Transmission range	Up to 274m (line of sight, no obstruction)
Regulation Compliance	FCC/CE(RoHS)
Operating Environment	0oC~+40oC / 85% RH / Indoor use only

WIRELESS CAMERA SEB-102CRW

Image Sensor Type	1/4" Color CMOS Image Sensor
Effective Pixel	640x480 (VGA)
Image Compression	MJPEG
Lens	EFL=3.95mm, F=2.2 (Viewing Angle (D): 55degree)
Night Vision	5m (16 ft.) in the dark with 8 non-visible IR LEDs
White Balance	Auto
Lullabies	4 songs + 3 white noises (Remote On / Off)
Temperature sensor	Yes (+/-2 degree)
Power Requirement	DC 5V ±10%
Power Consumption	2.5Watt (max)
VOX level detection	Low: 50dBA / High: 65dBA
Audio	Built in Microphone/ Speaker

WIRELESS MONITOR

Display Information	4.3" 480x272 Color TFT
Digital Zoom	X1 , X2
Real Time Clock (RTC)	+/- 3sec / day
Power Requirement	Adapter : DC 5.1V ± 10%, Battery : 3.85V Li-ion
Power Consumption	4.0Watt (max)
Audio	Built in Microphone/ Speaker
Rechargeable Battery	2100mAh Li-ion Polymer
Battery time duration	Monitor On: 5.5 hours / Audio Only: min. 10 hours