

PNP-9200RH

4K 20x Network IR PTZ Dome Camera

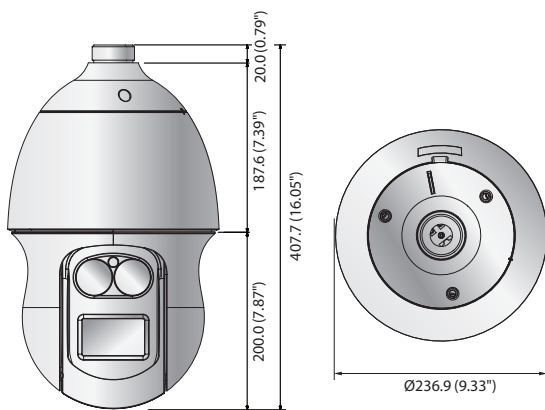


Key Features

- Max. 8megapixel (3840 x 2160) resolution
- Real 4K 20x IR corrected optical zoom, 16x digital zoom
- Max. Prest 400°/sec (Pan), 300°/sec (Tilt)
- H.265, H.264, MJPEG, WiseStream support
- Max.30fps@4K (H.265, H.264)
- Max. IR viewable length : 200m
- Day & Night (ICR), WDR (120dB)
- Auto tracking, Intelligent video analytics
- SD/SDHC/SDXC memory slot (Max. 128GB)
- IP66, IK10, Bi-directional audio support

Dimensions

Unit : mm (inch)



Accessories (Optional)



SBP-300WM1 SBP-300WM SBP-300CM SBP-300LM SBP-300B SBP-300NB SBP-300PM SBP-300KM

PNP-9200RH	
VIDEO	
Imaging Device	1/2.5" 8M CMOS
Total / Effective Pixels	3,864(H) x 2,202(V), 8.51M pixels / 3,840(H) x 2,160(V), 8.00M pixels
Scanning System	Progressive
Min. Illumination	Color : 0.3Lux / F1.8 (1/30sec, F1.8, 50IRE), 0.005Lux (2sec, F1.8, 50IRE) 0.1Lux / F1.8 (1/30sec, F1.8, 30IRE), 0.0005Lux (2sec, F1.8, 30IRE) B/W : 0Lux (IR LED on)
S / N Ratio	50dB
Video Output	CVBS : 1.0Vpp / 75Ω composite, 720 x 480(N), 720 x 576(P), for installation
LENS	
Focal Length (Zoom Ratio)	4.8 ~ 96mm (Optical 20x)
Max. Aperture Ratio	F1.8(Wide) / F3.6(Tele)
Angular Field of View	H : 65.1°(Wide) ~ 3.8°(Tele) / V : 38.4°(Wide) ~ 2.2°(Tele)
Min. Object Distance	1.5m (4.92ft)
Focus Control	AF / One-shot AF / Manual
Lens / Mount Type	DC auto iris (IR corrected) / Board-in type
PAN / TILT	
Pan Range / Speed	360° Endless / Preset : 400°/sec, Manual : 0.024°/sec ~ 250°/sec
Tilt Range / Speed	190° (-5° ~ 185°) / Preset : 300°/sec, Manual : 0.024°/sec ~ 250°/sec
Sequence / Preset Accuracy	Preset (300ea), Swing, Group (6ea), Trace, Tour, Auto run, Schedule / ±0.2°
Azimuth	Yes (E / W / S / N / NE / SE / NW / SW OSD)
Auto Tracking	Off / On
OPERATIONAL	
Viewable Length	200m (656.17ft)
Camera Title	Off / On (Displayed up to 60 characters) - W/W : English / Numeric / Special characters - Korea : English / Numeric / Special / Korean characters - China : English / Numeric / Special / Chinese characters - Common : Multi-line (Max. 5), Color (Grey / Green / Red / Blue / Black / White), Transparency, Auto scale by resolution
Day & Night	Auto (ICR) / Color / B/W
Backlight Compensation	Off / BLC / WDR
Wide Dynamic Range	120dB
Contrast Enhancement	SSDR (Off / On)
Digital Noise Reduction	SSNR (2D+3D noise filter) (Off / On)
Image Stabilization	Mechanical anti-vibration
Defog	Off / Auto / Manual
Motion Detection	Off / On (4ea, Polygonal zones)
Privacy Masking	Off / On (16ea, Rectangular zones) - Color : Grey / Green / Red / Blue / Black / White, - Zoom ratio option for mask mode
Gain Control	Off / Low / Medium / High
White Balance	ATW / AWC / Manual / Indoor / Outdoor / Mercury / Sodium
Electronic Shutter Speed	Minimum / Maximum / Anti flicker (2 ~ 1/1,200sec)
Digital Zoom	16x, area zoom function support digital zoom 2x
Flip / Mirror	Off / On
Intelligent Video Analytics	Tampering, Virtual line, Enter / Exit, (Dis)Appear, Audio detection - with metadata
Alarm I/O	Input 4ea / Output 2ea (Relay type)
Remote Control Interface	RS-485/422
RS-485 Protocol	Samsung-T/E, Pelco-P/D, Panasonic, Honeywell, AD, Vicon, Bosch, GE
Alarm Triggers	Alarm input, Motion detection, Intelligent video analytics, Network disconnect
Alarm Events	File upload via FTP and E-mail, Notification via E-mail, Local storage (SD/SDHC/SDXC) or NAS recording at event triggers, External output, PTZ preset
Pixel Counter	Support (Pixel-in viewer only)
NETWORK	
Ethernet	RJ-45 (10/100BASE-T), SFP (* Only using SBP-302HF)
Video Compression Format	H.265 / H.264 (MPEG-4 part 10/AVC) : Main / Baseline / High, MJPEG
Resolution	3840 x 2160, 2592 x 1944, 2592 x 1464, 1920 x 1080, 1280 x 1024, 1280 x 960, 1280 x 720, 1024 x 768, 800 x 600, 800 x 450, 720 x 576, 640 x 480, 640 x 360, 320 x 240, 320 x 180
Max. Framerate	H.265 / H.264 : 30fps at all resolutions, MJPEG : 15fps at all resolutions
Smart Codec / WiseStream	Manual mode (Area-based : Sea) / Support
Video Quality Adjustment	H.265 / H.264 : Target bitrate level control, MJPEG : Quality level control
Bitrate Control Method	H.265 / H.264 : CBR or VBR, MJPEG : VBR
Streaming Capability	Multiple streaming (Up to 3 profiles)
Audio In	Selectable (Mic in / Line in), Supply voltage : 2.5VDC (4mA), Input impedance : approx. 2K Ohm
Audio Out	Line out (3.5mm stereo mini jack), Max output level : 1 Vrms
Audio Compression Format	G.711 u-law/G.726 selectable, G.726 (ADPCM) 8KHz, G.711 8KHz G.726 : 16Kbps, 24Kbps, 32Kbps, 40Kbps, AAC-LC : 48Kbps at 16KHz
Audio Communication	Bi-directional audio (2-way)
IP	IPv4, IPv6
Protocol	TCP/IP, UDP/IP, RTP (UDP), RTP (TCP), RTCP, RTSP, NTP, HTTP, HTTPS, SSL/TLS, DHCP, PPPoE, FTP, SMTP, ICMP, IGMP, SNMPv1/v2c/v3(MIB-2), ARP, DNS, DDNS, QoS, PIM-SM, UPnP, Bonjour
Security	HTTPS(SSL) login authentication, Digest login authentication IP address filtering, User access log, 802.1x authentication (EAP-TLS, EAP-LEAP)
Streaming Method	Unicast / Multicast
Max. User Access	15 users at unicast mode
Edge Storage	SD/SDHC/SDXC (128GB) - Motion images recorded in the SD/SDHC/SDXC memory card can be downloaded. Camera can detect automatically when the memory is connected, Memory status display (Normal / Error / Active / Formatting / Lock), NAS (Network Attached Storage), Local PC for instant recording (Plug-in viewer only)
Application Programming Interface	ONVIF profile S/G, SUNAPI (HTTP API), SVPN 1.2, Wisenet Open Platform
Webpage Language	English, French, German, Spanish, Italian, Chinese, Korean, Russian, Japanese, Swedish, Danish, Portuguese, Turkish, Polish, Czech, Rumanian, Serbian, Dutch, Croatian, Hungarian, Greek, Norsk, Finnish
Web Viewer	Supported OS : Windows 7, 8.1, 10, Mac OS X 10.9, 10.10, 10.11 Plug-in free Webviewer - Supported Browser : Google Chrome 47, MS Edge 20 Plug-in Webviewer - Supported Browser : MS Explore 11, Mozilla Firefox 43, Apple Safari 9 * Mac OS X only
Central Management Software	SmartViewer
ENVIRONMENTAL	
Operating Temperature / Humidity	-50°C ~ +55°C (-58°F ~ +131°F) / Less than 90% RH
Storage Temperature / Humidity	-50°C ~ +60°C (-58°F ~ +140°F) / Less than 90% RH
Ingress Protection / Vandal Resistance	IP66 / IK10
ELECTRICAL	
Input Voltage / Current	24V AC
Power Consumption	Max. 60W/90W (Heater off/on, IR on)
MECHANICAL	
Color / Material	Ivory, Black / Aluminum, Plastic
Dimensions (WxH) / Weight	Ø236.9 x 407.7mm (Ø9.33" x 16.05") / 7.1Kg (15.65 lb)

* The latest product information / specification can be found at hanwha-security.com
* Design and specifications are subject to change without notice.