

4 Channel Full HD DVR Security System with P2P Easy Connection Supported

SDH-B73023BF

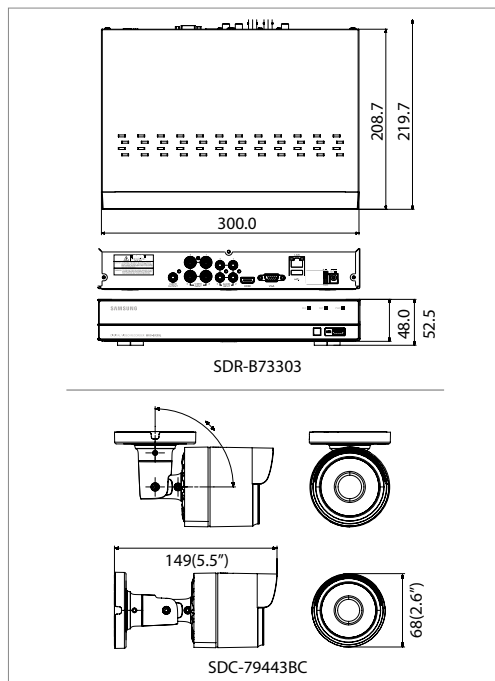


Packaging Contents

- DVR (SDR-B73303)
- Bullet Camera x 2 (SDC-79443BC)
- Quick Start Guide
- Remote Control / Battery
- 60ft BNC Camera Cable x 2
- HDMI Cable
- Mouse
- 1 to 4 Power Splitter
- Network Cable
- 12V 2A Power Adaptor for DVR
- 12V 2A Power Adaptor for Cameras
- Screws, Anchors & Hex Key
- CD (Remote viewing S/W, User Manual)

Dimensions

Unit:mm(inch)



SDR-B73303N1T (Recorder)

Video	Video Input	BNC x 4ch
Recording	Codec	H.264
	Live Frame Rate	Max. 120fps@1080p
	Recording Frame Rate	Max. 60fps@1080p
	Playback Frame Rate	Max. 60fps@1080p
	Mode	Manual, Schedule, Event (Motion)
Search & Playback	Video Search Mode	Date/Time, Event
Network	Max. Remote Users	20
Alarm	Alarm Notification	via E-mail
Remote Monitoring	Viewing Software	App (Android/iOS), Webviewer (PC/Mac)
	Monitoring Setup	QR code scan (mobile), DDNS (PC/Mac, Web)
Storage	Backup Storage	USB, dropbox
	HDD (Surveillance grade)	1TB equipped (Compatible up to 6TB)
Interface	Display Out	HDMI, D-Sub
	Audio In/Out (RCA)	In x 4ch, Out x 1ch (G.711)
	Motion Detection Zones	Up to 4 areas
	Privacy Mask	Up to 4 areas
Environmental	Operating Temperature / Humidity	+32°F ~ +104°F (0°C~40°C) / 20% to 85% RH
Electrical	Power Consumption	8W (DC 12V)
Mechanical	Dimension (W x H x D)	W11.81" x H2.07" x D8.65" (300 x 52.5 x 219.7mm)
	Weight	3.17lb (1.44kg)
OSD Language	OSD Language Support	English, French, Spanish, Portuguese, German

SDC-79443BC (Camera)

Video	Resolution	1920 x 1080 (1080p)
	Min. Illumination	0Lux (IR-LED On)
	Camera Output	BNC
Lens	Max. Aperture Ratio	F2.1
	Field of View	Diagonal 105° / Horizontal 88° / Vertical 46°
Operational	Wide Dynamic Range	N/A
	Digital Noise Reduction	3D DNR
	Flickerless	Auto
	Night Vision	82ft. (25m) in total darkness/ 130ft. (40m) in ambient lighting)
	Day & Night	Auto (True D&N)
Environmental	Operating Temperature / Humidity	+22° ~ +122°F (-30°C~ +50°C)/ Less than 90% RH
	Weather Resistance & IP Rating	Indoor & Outdoor Use; IP 66 Rating
Electrical	Power Consumption	4W (DC 12V)
Mechanical	Dimension (Ø x D)	2.68" x 5.87" (Ø68 x 149mm)
	Weight	0.70lb (0.32kg)