

## SmartCam HD Plus

# SNH-C6417BN



### Product Features

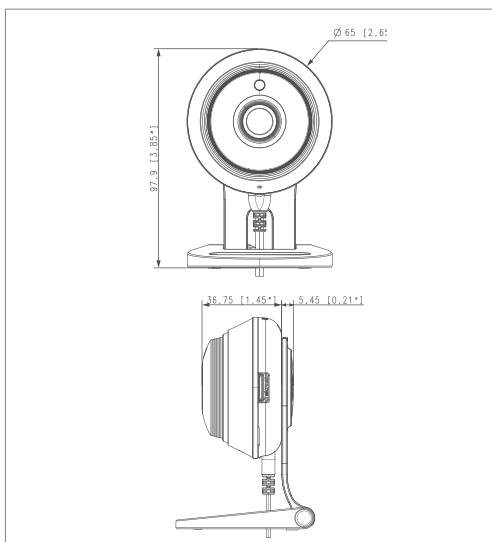
- Small and Simple Design
- 1080p Full HD Streaming and Recording
- High Capacity Storage (max. 128GB, SDXC)
- 130° Ultra-Wide View Angle
- Wide Dynamic Range
- Improved Night Vision (33ft, 10m)
- Lens Distortion Correction

### Contents

- Camera
- Power Adapter
- Screw & Anchor (2-set)
- Quick Start Guide
- Warranty Card

### Dimensions

Unit:mm(inch)



### SNH-C6417BN

Video	Imaging Device	1/3" 2M CMOS
	Effective Pixels	1944 (H) x 1092 (V)
	Scanning System	Progressive
	Low Light Performance	0.3Lux (color), 0Lux (black/white)
Lens	Focal Length	2.8mm
	Field of View	H: 113° V: 63° D: 130°
	Focus Control	Fixed Lens
Operational	IR LED	850nm
	Viewable Length	33ft (10m)
	Day & Night	True D/N (auto)
	Wide Dynamic Range	HDR
	Lens Distortion Correction	Off / On
	Contrast Enhancement	Auto
	Digital Noise Reduction	Support (2D+3D Noise Filter)
	Motion Detection	Off / On
	Audio Detection	Off / On
	White Balance	Auto
	Digital Zoom	4x (mobile) 10x (web)
	Flip / Mirror	Off / On
Memory Slot	SDXC Memory Slot (max. 128GB)	
Network	Wireless	Wi-Fi 802.11b/g/n (Single Band)
	Video Compression Format	H.264
	Resolution	1920x1080 / 1280x720 / 640x360
	Max. Framerate	H.264, 1920x1080 30FPS
	Streaming Capability	Multiple Streaming (up to 4 profiles)
	Audio I/O	Built-in Mic and Speaker
	Audio Compression Format	G.711 u-law
	Audio Communication	2-way audio / Half duplex
Security	HTTPS (SSL) Login Authentication, Digest Login Authentication	
Environmental	Operating Temperature/Humidity	32°-104°F (0°-40°C) / 20% ~ 80% RH
	Ingress Protection	Indoor
Electrical	Input Voltage / Current	5V/2A
	Power Connector	micro-USB Type
Mechanical	Color / Material	White/Plastic: SNH-C6417BN
	Dimension (WxHxD/ ØxH)	Ø65mm x 36.5mm (without bracket)
	Weight	137g

### Key Features



Ultra-Wide Angle Lens



Motion Zone Select



Digital PTZ



Two-way Talk



Motion & Audio Detection



Micro SD Recording (max. 128GB)



Night Vision