

Wi-Fi & Embedded Web Server • Camera • PoE

IDTECK 13.56MHz Secure and Credential Format

Smart Card & Fingerprint Time & Attendance / Access Controller



- Highly Secured Digital Encryption Contactless Smart Card & Fingerprint
- Enhanced Access Status Verifications through Video Image
- Accurate Time Management by Preventing Buddy Punching
- Fake Fingerprint Detection : Auto on Function & LIVE Fingerprint Detection
- 12 Function Keys for Various Professional Time & Attendance Applications (Shift Management, Overtime, Breaktime, etc.)



XO1000SRS

Secure & Credential
Smart Card & Fingerprint
Time & Attendance / Access Controller



Fingerprint
Recognition



RFID Reader
& Card



Access
Controller



Video
Camera

IDTECK
Your Security Partner
SINCE 1989

Wi-Fi & Embedded Web Server • Camera • PoE
IDTECK 13.56MHz Secure and Credential Format
Smart Card & Fingerprint Time & Attendance / Access Controller

XO1000SRS



Key Features

- **Highly Secured Digital Encryption Contactless Smart Card & Fingerprint Time & Attendance / Access Controller**
 - **Built-In CMOS Color Camera**
 - Enables to provide images and video clips by event and alarm
 - Enhanced Access Status Verifications through Video Image
 - **Operation Mode : Smart CardPIN/Fingerprint), Smart Card(PIN)+Password/Fingerprint, Smart Card(PIN)+Password+Fingerprint**
 - **Communication : TCP/IP, DHCP or STATIC IP (Optional : Wi-Fi, PoE)**
 - **Output Format : 34Bit Wiegand**
 - **5 inch full color TFT Touch screen LCD**
 - Enables to see the Access Status Verifications through Video Image and compare the person with the registered photo at the site
 - **4-State Supervised Input (On/Off/Short/Cut)**
 - **12 Function Keys for Various Professional Time & Attendance Applications (Shift Management, Overtime, Breaktime, etc.)**
 - **Accurate Time Management by Preventing Buddy Punching**
 - **Able to Scan Fingerprint from Any Angle**
 - **Fake Fingerprint Detection : Auto on Function & LIVE Fingerprint Detection**
 - **Individual Configuration Setting per User : Time Schedule, Card Usage Expiration Date, Accessible Reader, Door Opening Time, etc.**
 - **Standalone Operator without PC/Server Connection**
 - **Built in Embedded Web Server**
 - **ID Card Users / Event Buffers : 100,000 Users / 500,000 Events**
 - **Compatible Software : IDTECK Standard Series, IDTECK Time Pro, IDTECK MOBILE 3S, IDTECK Enterprise TA Series**
 - **Compatible Smart Card : ISC80S, ISK50S, IMC135S**
 - **Compatible RFID Readers: SR10S, SR10SE, SR30S, SRK101S, SR10VS, SR30VS, SRK101VS**
 - **Standalone Controller (Fingerprint/ RFID) : XO100SRS, LX007SRS, LX505SRS**
 - **Compatible Fingerprint Reader : LX006SRS, FINGER006SRS**
- * SRS Series products developed and manufactured by IDTECK are only compatible with SRS Series products



Wi-Fi & Embedded Web Server • Camera • PoE

IDTECK 13.56MHz Secure and Credential Format

Smart Card & Fingerprint Time & Attendance / Access Controller

XO1000SRS



Specification

Model		XO1000SRS
CPU		32Bit RISC Microcontroller (ARM-CORTEX A8, 1GHz)
Operating System (OS)		Linux 2.6
Memory	Program	256MB DDR2 SDRAM
	Data	512MB Flash Memory
	Storage	8GB MicroSD Card
Fingerprint User		Up to 5,000 Users
ID User / Event Buffer		100,000 Users (Including Fingerprinting Registration) / 500,000 Events
Radio Frequency (RF)		13.56MHz
Read Range (Compatible Card Type)		ISC80S : Up to 4 Inch (10cm) ISK50S / IMC135S : Up to 2 Inch (5cm)
Reading Time (Card)		30ms
1:1 Verification Time		Less than 1 sec.
1:N Identification Time		Less than 2 sec.
Fake Fingerprint Detection		Auto on Function & LIVE Fingerprint Detection
Power / Current		12V DC / Max. 600mA
PoE (Power over Ethernet)		IEEE 802.3af (PoE) / Up to 15.4W (Max. 1A)
External Reader Port		1 EA : 34bit Wiegand (for Anti-Passback), 4/8bit Burst for PIN
Communication / Speed		TCP/IP, WiFi Dongle (Optional) / 10/100 Mbps
Wi-Fi Specification		EDIMAX - N150(EW7811Un)
Input Port		4 EA: Exit Button, Door Sensor, AUX#1, AUX#2 / 2 EA : OK-Input, Error-Input
Output Port		2 EA : 2 FORM-C Relay / DC12V ~ 18V, Up to 2A / 2 EA : TTL Output (+5VDC), Max. 20mA 1 EA : 34 Bit Wiegand
Function Key		12 Function Keys for Various Professional Time & Attendance Application
USB Port		1 EA : USB 2.0 HOST (Utilized for Firmware Upgrade and connecting WIFI Dongle)
Camera		Built-In CMOS Color Camera (1.3 MP)
Storage	Image	Image (400 x 400 / JPEG): Stores up to 32,768 Images
	Video	Video (400 x 400 / 30FPS) : Stores up to 2,500 Videos
LCD		TFT Color Touch LCD (800 x 480, 5inch, 16.7K)
Language	LCD Display	English (Default), Korean, User-Defined
	Voice Output	English (Default)
Operating Temperature / Humidity		0°~ +50°C (32°~ +122°F) / 10% ~ 90% Relative Humidity, Non - Condensing
Color / Material		Black, White / Polycarbonate
Dimension (W x H x T) / Weight		170 x 180 x 40mm (6.69" x 7.09" x 1.57") / 520g (Without Bracket), 1.15LBs (Without Bracket)
Certification		FCC, CE, RoHs

Fingerprint Module Specification

Sensing Type	High Quality Optical Sensing	FRR	0.1%
Sensing Area	13.2 x 15.2 mm	FAR	0.001%
Image Resolution	500 DPI		
Image Size	248 x 292 pixels		

Wi-Fi & Embedded Web Server • Camera • PoE

IDTECK 13.56MHz Secure and Credential Format

Smart Card & Fingerprint Time & Attendance / Access Controller

XO1000SRS

Embedded Web Server



- Various Configuration Setting via Web
- Operation without Installation of Management Software
- ID Registration up to 100,000 Users / Event view to 500,000 Events
- Device LCD Setting
(Logo TEXT, Notice, ID Display, Name Display, ID OK Message TEXT, ID Error Message TEXT)
- Time&Attendance Management
 - Function keys can be configured freely by users (ex: business trip or early leave)
 - Work Hour Setting - Work Schedule Setting
 - Attendance Holiday Setting - Daily/Monthly Closing Rule setting
- Event Management
 - Events such as normal, alarm or any recent events can be checked
- In/Output Management
 - Door Output Time Setting
 - Tamper Alarm / Input Cut Off Alarm / Duress Alarm / ARM & DISARM Output Setting
- Access Card & Time Schedule Management
- Daily START/END Time Report / Monthly Total Work Time Report
- Time & Attendance Report .csv file format download

Home Time & Attendance **Time & Attendance Button**

<input checked="" type="checkbox"/>	F1	Start	F2	End
<input checked="" type="checkbox"/>	F3	Business trip	F4	Early leave
<input type="checkbox"/>	F5		F6	
<input type="checkbox"/>	F7		F8	
<input type="checkbox"/>	F9		F10	
<input type="checkbox"/>	F11		F12	

Submit **Cancel**

Home Time & Attendance **Time & Attendance Setting**

Work Time Code Setting | Work Time Schedule Setting | Attendance Holiday Setting | Closing Rule setting

Monday Work Time code:

Tuesday Work Time code:

Wednesday Work Time code:

Thursday Work Time code:

Friday Work Time code:

Saturday Work Time code:

Sunday Work Time code:

Apply Holiday: Not Use Use

Allowed Early in Time: 08 : 30 (hh : mm)

Allowed Late Out Time: 18 : 30 (hh : mm)

Submit **Cancel**

Home Time & Attendance **Time & Attendance Setting**

Work Time Code Setting | Work Time Schedule Setting | Attendance Holiday Setting | Closing Rule setting

Work Time code:

Work Time name:

Start Work Time: 09 : 00 (hh : mm)

End Work Time: 18 : 00 (hh : mm)

Start Meal Time: 12 : 00 (hh : mm)

End Meal Time: 13 : 00 (hh : mm)

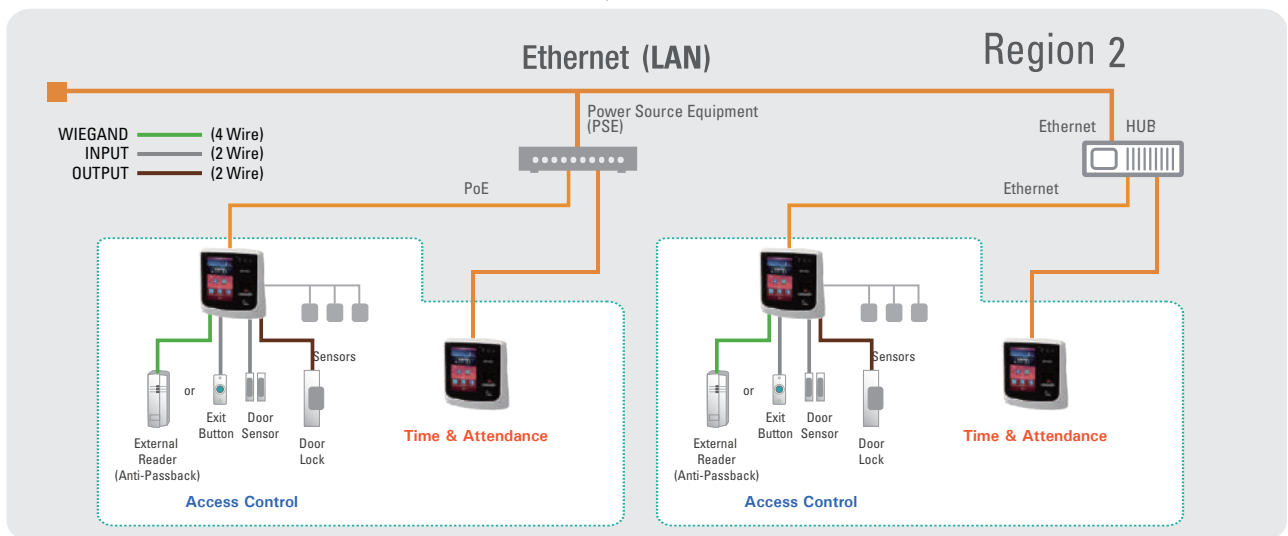
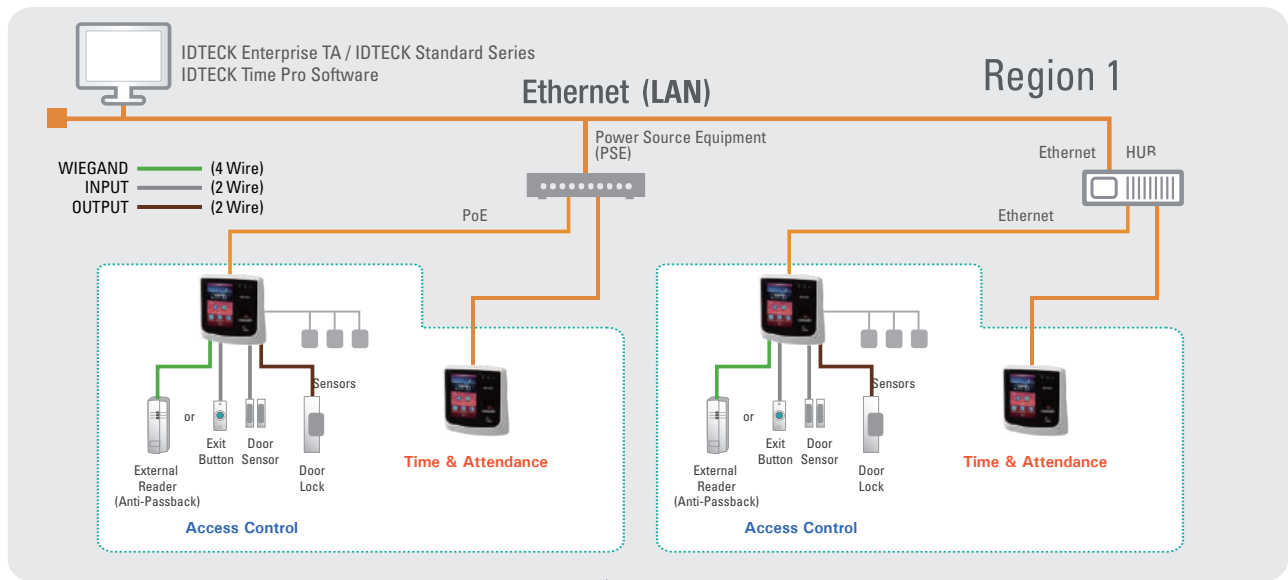
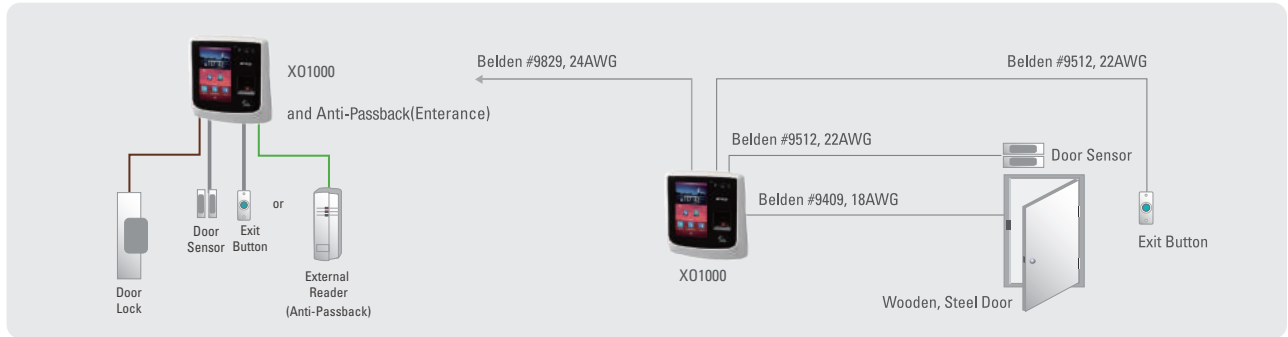
Closing Basis Time: 23 : 00 (hh : mm) Today

Submit **Cancel**

Wi-Fi & Embedded Web Server • Camera • PoE IDTECK 13.56MHz Secure and Credential Format Smart Card & Fingerprint Time & Attendance / Access Controller **XO1000SRS**



Standalone Configuration



Wi-Fi & Embedded Web Server • Camera • PoE IDTECK 13.56MHz Secure and Credential Format Smart Card & Fingerprint Time & Attendance / Access Controller **XO1000SRS**

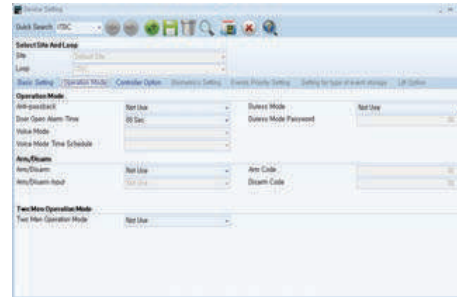


Application & Compatible Software

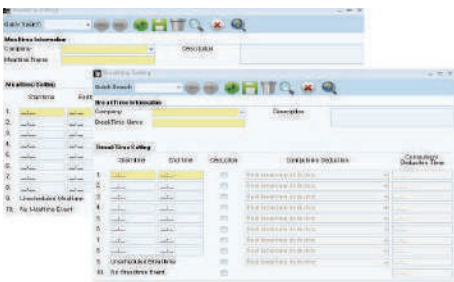
- Application : **Access Control, Time & Attendance**
- **Compatible Software**



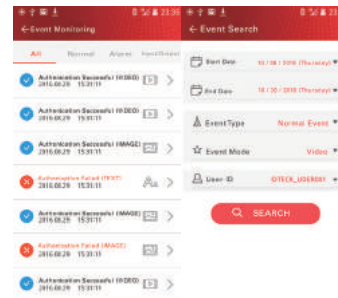
IDTECK Standard Series



IDTECK Enterprise TA Series



IDTECK Time Pro



IDTECK Mobile 3S



IDTECK CO., Ltd.

3F, Ace Techno Tower Bldg, 468, Gangseo-Ro, Gangseo-gu, Seoul, 07573, Korea
Tel. +82-2-2659-0055 | Fax: +82-2-2659-0086
Email: saleswebk@idteck.com | Website: www.idteck.com

IDTECK Global Inc.

1555 W. Redondo Beach Blvd #100, Gardena, CA 90247, USA
Tel. +1-310-819-8115
Email: sales@idteckglobal.com | Website: www.idteckglobal.com

IDTECK
Your Security Partner
SINCE 1989