



Wi-Fi & Embedded Web Server • Camera • PoE Fingerprint Identification Time & Attendance / Access Controller

- Enhanced Access Status Verifications through Video Image
- Accurate Time Management by Preventing Buddy Punching
- Fake Fingerprint Detection : Auto on Function & LIVE Fingerprint Detection
- 12 Function Keys for Various Professional Time & Attendance Applications (Shift Management, Overtime, Breaktime, etc.)
- Integrated Mobile3S (Mobile Time & Attendance / Access Control Application)



XO1000 XO1000SR



Fingerprint
Recognition



RFID Reader
& Card



Access
Controller



Video
Camera

IDTECK
Your Security Partner
SINCE 1989

Wi-Fi & Embedded Web Server • Camera • PoE
Fingerprint Identification Time & Attendance / Access Controller

XO1000 / XO1000SR



Key Features

- **Built-In CMOS Color Camera**
 - Enables to provide images and video clips by event and alarm
 - Enhanced Access Status Verifications through Video Image
- **Image / Video of Access Status**
 - Image (400 x 400 / JPEG): Stores up to 32,768 Images
 - Video (400 x 400 / 30FPS) : Stores up to 2,500 Videos
- **Operation Mode** : RF Card(PIN/Fingerprint), RF Card(PIN)+Password/Fingerprint, RF Card(PIN)+Password+Fingerprint
- **Communication** : TCP/IP, DHCP or STATIC IP (Optional : Wi-Fi, PoE)
- **Output Format** : XO1000 Series may function as a Standalone Controller as well as a Reader
 - XO1000 : 26Bit Wiegand
 - XO1000SR : 34Bit Wiegand
- **5 inch full color TFT Touch screen LCD**
 - Enables to see the Access Status Verifications through Video Image and compare the person with the registered photo at the site
- **4-State Supervised Input (On/Off/Short/Cut)**
- **Easy Setup and Registration through Graphical LCD and Voice Guide Support**
- **12 Function Keys for Various Professional Time & Attendance Applications**
(Shift Management, Overtime, Breaktime, etc.)
- **Accurate Time Management by Preventing Buddy Punching**
- **Anti-Passback Function / Duress Mode / 2 Men-Operation Function**
- **Able to Scan Fingerprint from Any Angle**
- **Fake Fingerprint Detection : Auto on Function & LIVE Fingerprint Detection**
- **Designed to Withstand ESD (Electro Static Discharge) Shock**
- **Individual Configuration Setting per User**
(Time Schedule, Card Usage Expiration Date, Accessible Reader, Door Opening Time, etc.)
- **Standalone Operator without PC/Server Connection**
- **Application** : Access Control, Time & Attendance
- **Embedded Web Server**
 - Various configuration setting via web
 - Operation without installation of Management Software
- **Fingerprint Registration** : Up to 5,000 users(XO1000, XO1000SR)
- **ID Card Users / Event Buffers** : 100,000 Users / 500,000 Events
- **Compatible Software** : IDTECK Standard Series, IDTECK Time Pro, IDTECK MOBILE 3S, IDTECK Enterprise TA Series
 - **XO1000** : 125KHz (IDTECK Credential Format /IDC Type)
 - **XO1000W** : XO1000 + WiFi
 - **XO1000SR** : 13.56MHz (ISO14443 Type A, B, MIFARE Classic, MIFARE Plus, MIFARE Desfire, MIFARE Ultra light)
 - **XO1000SRW** : XO1000SR + WiFi
 - **XO1000P** : XO1000 + PoE
 - **XO1000SRP** : XO1000SR + PoE

Wi-Fi & Embedded Web Server • Camera • PoE

Fingerprint Identification Time & Attendance / Access Controller



Specification

Model		XO1000	XO1000SR
CPU		32Bit RISC Microcontroller (ARM-CORTEX A8, 1GHz)	
Operating System (OS)		Linux 2.6	
Memory	Program	256MB DDR2 SDRAM	
	Data	512MB Flash Memory	
	Storage	8GB MicroSD Card	
Fingerprint User		Up to 5,000 Users	
ID User / Event Buffer		100,000 Users (Including Fingerprinting Registration) / 500,000 Events	
Radio Frequency (RF)		125KHz	13.56MHz
Read Range (Compatible Card Type)		IDC80/IDC170: Up to 4 Inch (10cm)	ISC80: Up to 10cm / IHC80: Up to 5cm
Reading Time (Card)		30ms	
1:1 Verification Time		Less than 1 sec.	
1:N Identification Time		Less than 2 sec.	
Fake Fingerprint Detection		Auto on Function & LIVE Fingerprint Detection	
Power / Current		12V DC / Max. 600mA	
PoE (Power over Ethernet)		IEEE 802.3af (PoE) / Up to 15.4W (Max. 1A)	
External Reader Port		1 EA : 26bit Wiegand (for Anti-Passback), 4/8bit Burst for PIN	1 EA : 34bit Wiegand (for Anti-Passback), 4/8bit Burst for PIN
Communication / Speed		TCP/IP, WiFi Dongle (Optional) / 10/100 Mbps	
Wi-Fi Specification		EDIMAX - N150(EW7811Un)	
Input Port		4 EA: Exit Button, Door Sensor, AUX#1, AUX#2 / 2 EA: OK-Input, Error-Input	
Output Port		2 EA : 2 FORM-C Relay / DC12V ~ 18V, Up to 2A / 2 EA : TTL Output (+5VDC), Max. 20mA	
		1 EA : 26 Bit Wiegand	1 EA : 34 Bit Wiegand
Function Key		12 Function Keys for Various Professional Time & Attendance Application	
USB Port		1 EA : USB 2.0 HOST (Utilized for Firmware Upgrade and connecting WIFI Dongle)	
Camera		Built-In CMOS Color Camera (1.3 MP)	
Storage	Image	Image (400 x 400 / JPEG): Stores up to 32,768 Images	
	Video	Video (400 x 400 / 30FPS) : Stores up to 2,500 Videos	
LCD		TFT Color Touch LCD (800 x 480, 5inch, 16.7K)	
Language	LCD Display	English (Default), Korean, User-Defined	
	Voice Output	English (Default)	
Operating Temperature / Humidity		0°~ +50°C (32°~ +122°F) / 10% ~ 90% Relative Humidity, Non - Condensing	
Color / Material		Black, White / Polycarbonate	
Dimension (W x H x T) / Weight		170 x 180 x 40mm (6.69" x 7.09" x 1.57") / 520g (Without Bracket), 1.15LBs (Without Bracket)	
Certification		FCC, CE, RoHs	

Fingerprint Module Specification

Sensing Type	High Quality Optical Sensing	FRR	0.1%
Sensing Area	13.2 x 15.2 mm	FAR	0.001%
Image Resolution	500 DPI		
Image Size	248 x 292 pixels		

Wi-Fi & Embedded Web Server • Camera • PoE Fingerprint Identification Time & Attendance / Access Controller

XO1000 / XO1000SR

Embedded Web Server

- Various Configuration Setting via Web
- Operation without Installation of Management Software
- ID Registration up to 100,000 Users / Event view to 500,000 Events
- Device LCD Setting
(Logo TEXT, Notice, ID Display, Name Display, ID OK Message TEXT, ID Error Message TEXT)
- Time&Attendance Management
 - Function keys can be configured freely by users (ex: business trip or early leave)
 - Work Hour Setting
 - Attendance Holiday Setting
- Event Management
 - Events such as normal, alarm or any recent events can be checked
- In/Output Management
 - Door Output Time Setting
 - Tamper Alarm / Input Cut Off Alarm / Duress Alarm / ARM & DISARM Output Setting
- Access Card & Time Schedule Management
- Daily START/END Time Report / Monthly Total Work Time Report
- Time & Attendance Report .csv file format download



Home Time & Attendance Time & Attendance Button

<input checked="" type="checkbox"/>	F1	Start	F2	End
<input checked="" type="checkbox"/>	F3	Business trip	F4	Early leave
<input type="checkbox"/>	F5		F6	
<input type="checkbox"/>	F7		F8	
<input type="checkbox"/>	F9		F10	
<input type="checkbox"/>	F11		F12	

Home Time & Attendance Time & Attendance Setting

Work Time Code Setting Work Time Schedule Setting Attendance Holiday Setting Closing Rule setting

Monday Work Time code

Tuesday Work Time code

Wednesday Work Time code

Thursday Work Time code

Friday Work Time code

Saturday Work Time code

Sunday Work Time code

Apply Holiday Not Use Use

Allowed Early in Time : (hh : mm)

Allowed Late Out Time : (hh : mm)

Home Time & Attendance Time & Attendance Setting

Work Time Code Setting Work Time Schedule Setting Attendance Holiday Setting Closing Rule setting

Work Time code

Work Time name

Start Work Time : (hh : mm)

End Work Time : (hh : mm)

Start Meal Time : (hh : mm)

End Meal Time : (hh : mm)

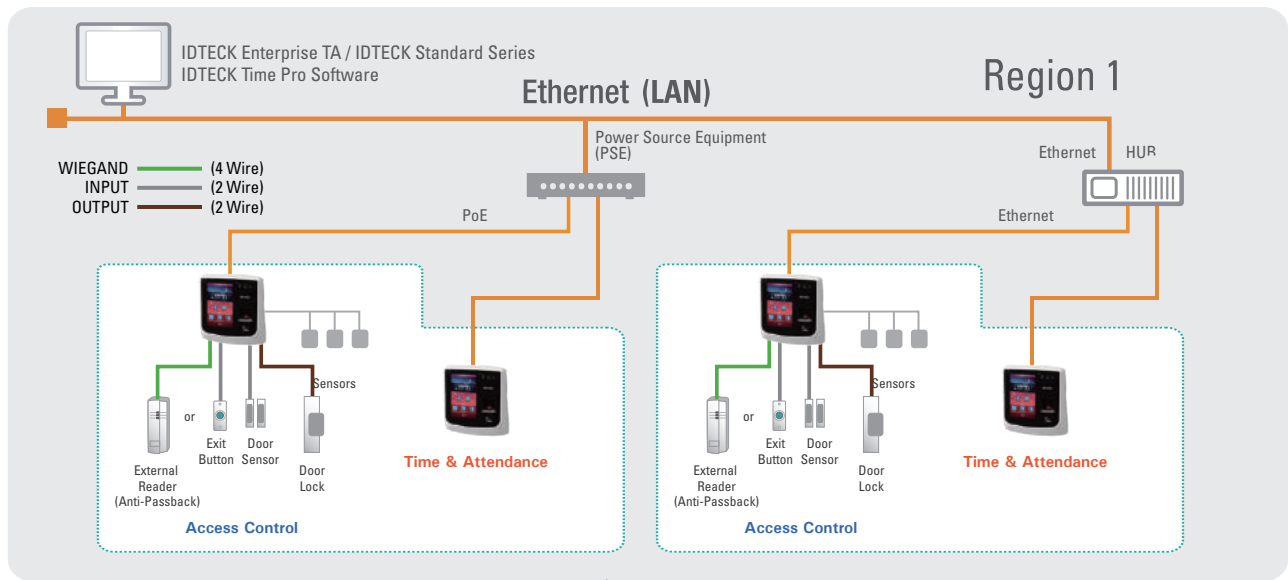
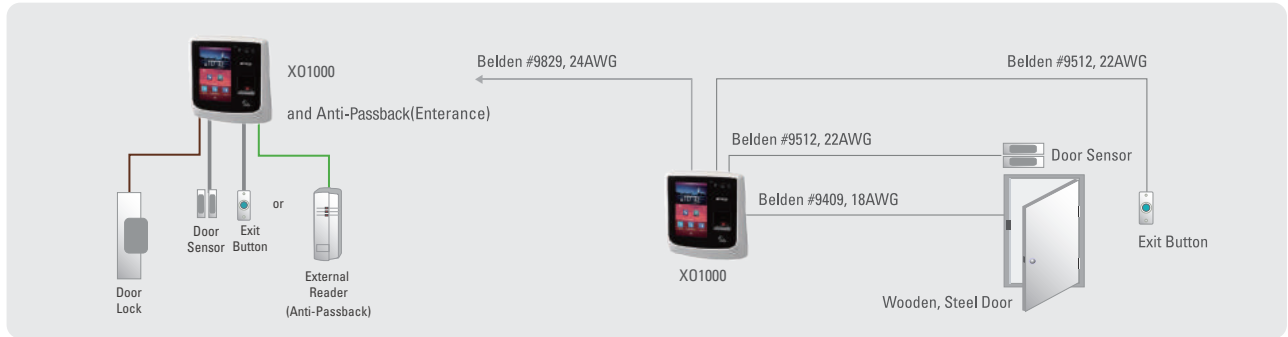
Closing Basis Time : (hh : mm)

Wi-Fi & Embedded Web Server • Camera • PoE
 Fingerprint Identification Time & Attendance / Access Controller

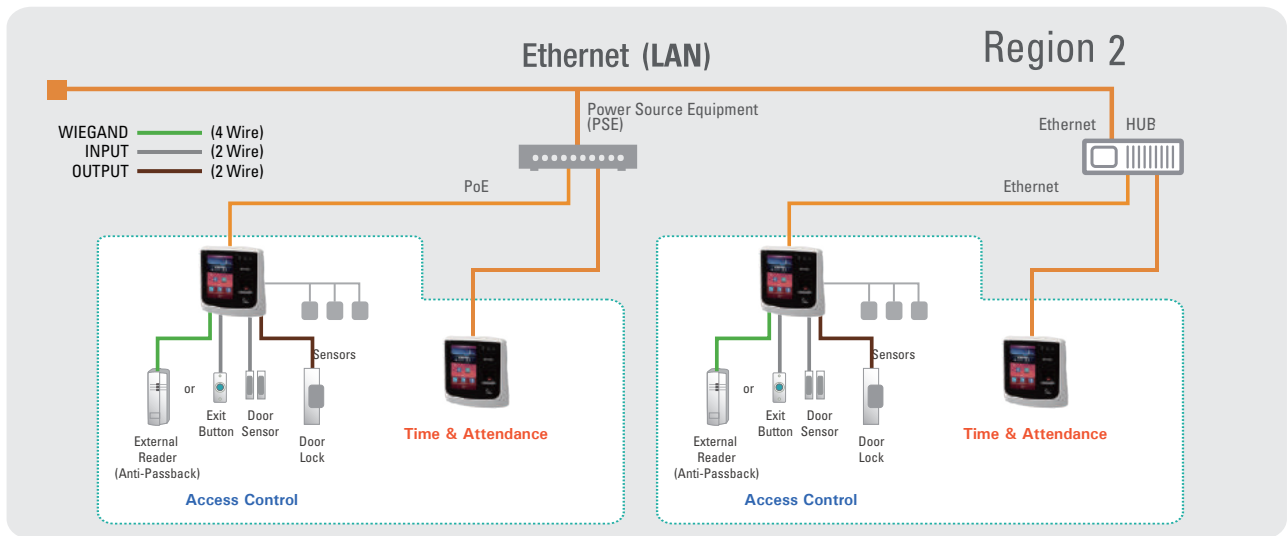
XO1000 / XO1000SR



Standalone Configuration



↑ WAN ↓



Wi-Fi & Embedded Web Server • Camera • PoE
Fingerprint Identification Time & Attendance / Access Controller

XO1000 / XO1000SR

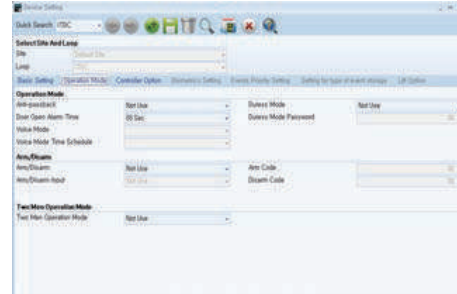


Application & Compatible Software

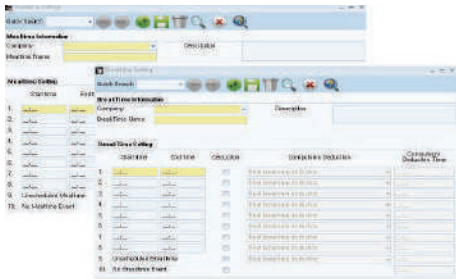
- Application : Access Control, Time & Attendance
- Compatible Software



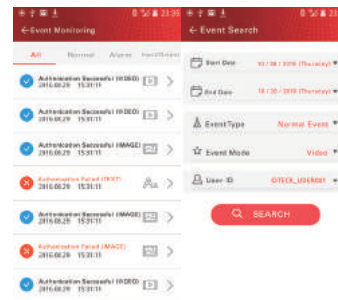
IDTECK Standard Series



IDTECK Enterprise TA Series



IDTECK Time Pro



IDTECK Mobile 3S

IDTECK CO., Ltd.

3F, Ace Techno Tower Bldg, 468, Gangseo-Ro, Gangseo-gu, Seoul, 07573, Korea
Tel. +82-2-2659-0055 | Fax: +82-2-2659-0086
Email: saleswebk@idteck.com | Website: www.idteck.com

IDTECK Global Inc.

1555 W. Redondo Beach Blvd #100, Gardena, CA 90247, USA
Tel. +1-310-819-8115
Email: sales@idteckglobal.com | Website: www.idteckglobal.com

IDTECK
Your Security Partner
SINCE 1989