

High Compatibility IP Based Fingerprint Reader (Fingerprint/RFID/PIN/Password)



- Able to Scan Fingerprint from any Angle
- Fingerprint Enrollment Management Software (Fingerprint Enrollment Pro/FREE Version) enable the Easy Fingerprint Enrollment
- Fake Fingerprint Detection : Auto on Function & LIVE Fingerprint Detection
- Designed to Withstand ESD (Electro Static Discharge) Shock
- Read Output Format : 34Bit Wiegand



FINGER006SRT FINGER006SR

IDTECK
Your Security Partner
SINCE 1989

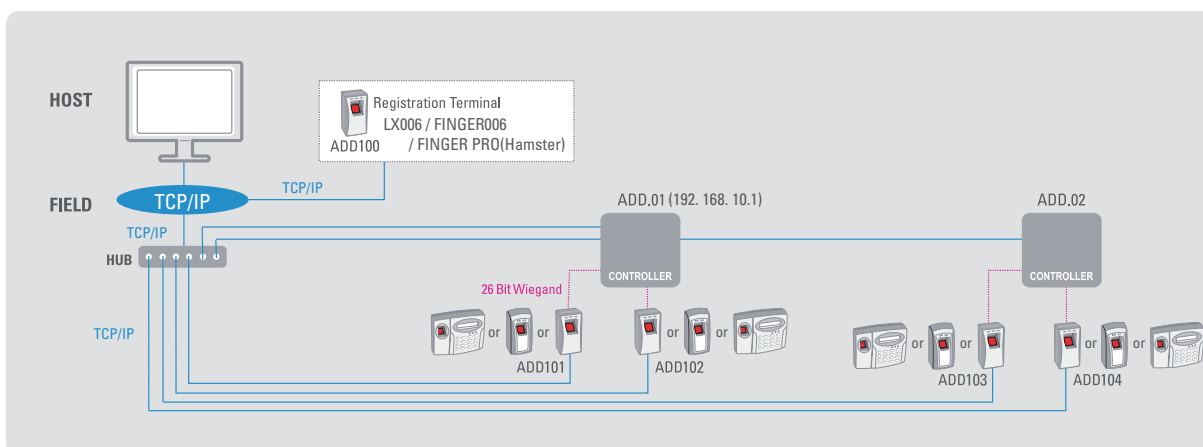
IP Based Fingerprint Reader (Fingerprint/RFID/PIN/Password) FINGER006SRT / FINGER006SR



Key Features

- 13.56MHz Contactless Smart Card (ISO14443 Type A) / Keypad and Fingerprint Reader
- 16 Numeric Keypads with Back Lighting and LCD Display
- Operation Mode : Card(PIN/Fingerprint), Card(PIN)+Password/Fingerprint,
Card(PIN)+Password+Fingerprint
- Fingerprint Registration: Up to 5,000 Users
- Easy Fingerprint Enrollment System
 - Fingerprint Enrollment Management Software (Fingerprint Enrollment Pro/FREE Version)
enable the Easy Fingerprint Enrollment
- Communication (for Fingerprint Template Upload/Download)
 - FINGER006SRT : TCP/IP, RS422,RS485,RS232
 - FINGER006SR : RS422,RS485,RS232
- Read Output Format : 34Bit Wiegand
- Able to Scan Fingerprint from Any Angle
- Fake Fingerprint Detection : Auto on Function & LIVE Fingerprint Detection
- Designed to Withstand ESD (Electro Static Discharge) Shock
- Compatible Controllers: iMDC, iEDC, iFDC, iTDC, iCON100, Standalone Controller, Third Party Controller
- Compatible Software: IDTECK Enterprise Series, IDTECK Standard Series, IDTECK Time Pro,
Fingerprint Enrollment Pro (for Third Party Controller)

Configuration



IP Based Fingerprint Reader (Fingerprint/RFID/PIN/Password) FINGER006 SRT / FINGER006 SR



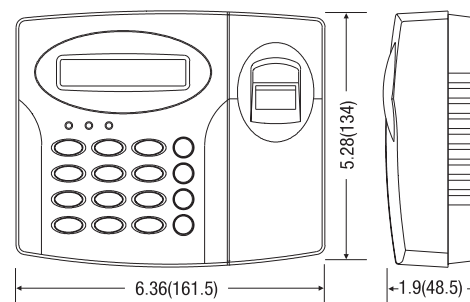
Specifications

Model		FINGER006SRT	FINGER006SR
CPU		32bit ARM9, Dual 8bit Microprocessor	
Memory	Program	128KByte Flash Memory	
	Data	1MByte Flash Memory	
Fingerprint User		Up to 5,000 Users	
Fingerprint Templates Size		800Bytes for 2 Fingerprint Templates	
Radio Frequency (RF)		13.56MHz Contactless Smart Card (ISO14443 Type A) Fomat	
Read Range (Compatible Card Type)		ISC80 : Up to 4 Inch (10cm) ISK50 / ISW50 : Up to 2 Inch (5cm)	
Reading Time (Card)		30ms	
Verification Time		Less than 1 sec.	
Identification Time		Less than 2 sec.	
Fake Fingerprint Detection		Auto on Function & LIVE Fingerprint Detection	
Power / Current		DC +12V / Max.300mA	
Reader Data Output Format		34Bit Wiegand (Controller ↔ Reader)	
Communication		TCP/IP, RS232, RS485, RF422 (Max. 32ch) / for Fingerprint Template Upload & Download (Software ↔ Reader)	
Communication Speed	TCP/IP	10/100 Mbps	
	Serial	9,600bps (default) / 4,800bps / 19,200bps / 38,400bps / 57,600bps / 115,200bps (selectable)	
Input Port		2EA : Error-Input, OK-Input	
Output Port		3EA : Error-Output , OK-Output, Temper-Output (Open Collector Output)	
LCD / Keypad		Character LCD (2 Lines x 16 Char) / 16 Key Numeric Keypad with Back Lighting	
LED / Buzzer		7 Array LED Indicators / Piezo Buzzer	
Operating Temperature		Fingerprint Module: -20°C ~ +60°C	
		LCD: 0°C ~ +50°C	
		RF Reader: -35°C ~ +65°C	
Operating Humidity		10% ~ 90% Relative Humidity, Non - Condensing	
Color / Material		Dark Pearl Gray / Polycarbonate	
Dimension (W x H x T) / Weight		161.5mm x 134mm x 48.5mm / 547g	
Certification		FCC, CE, KCC, RoHs	

Fingerprint Module Specification

Sensing Type	High Quality Optical Sensing
Sensing Area	13.2 x 15.2 mm
Image Resolution	500 DPI
Image Size	248 x 292 pixels
FRR	0.1%
FAR	0.001%

Inch(mm)



IP Based Fingerprint Reader (Fingerprint/RFID/PIN/Password) FINGER006SRT / FINGER006SR



IDTECK CO., Ltd.

3F, Ace Techno Tower Bldg, 468, Gangseo-Ro, Gangseo-gu, Seoul, 07573, Korea
Tel. +82-2-2659-0055 | Fax: +82-2-2659-0086
Email: saleswebk@idteck.com | Website: www.idteck.com

IDTECK Global Inc.

1555 W. Redondo Beach Blvd #100, Gardena, CA 90247, USA
Tel. +1-310-819-8115
Email: sales@idteckglobal.com | Website: www.idteckglobal.com

The specifications contained in this catalog are subject to change without notice at any time. Copyright © IDTECK Co., Ltd.

IDTECK
Your Security Partner
SINCE 1989