

# High Compatibility IP Based Fingerprint Reader (Fingerprint/RFID/PIN/Password)



- Able to Scan Fingerprint from any Angle
- Fingerprint Enrollment Management Software (Fingerprint Enrollment Pro/FREE Version) enable the Easy Fingerprint Enrollment
- Fake Fingerprint Detection : Auto on Function & LIVE Fingerprint Detection
- Designed to Withstand ESD (Electro Static Discharge) Shock
- Read Output Format : 26Bit Wiegand



# IP-FINGER006T IP-FINGER006

**IDTECK**  
Your Security Partner  
SINCE 1989

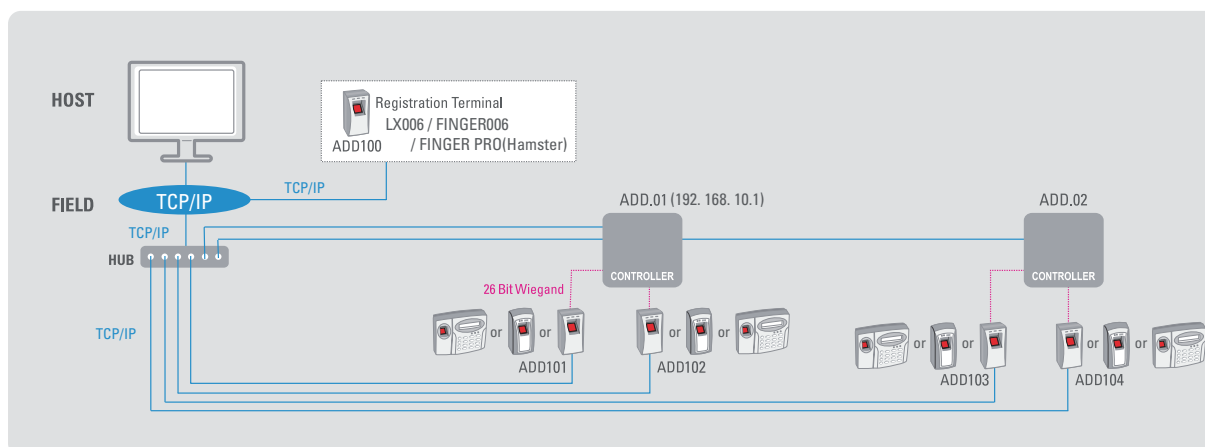
# IP Based Fingerprint Reader (Fingerprint/RFID/PIN/Password) IP-FINGER006T / IP-FINGER006



## Key Features

- 125KHz EM(ASK) Format Proximity / Keypad and Fingerprint Reader
- 16 Numeric Keypads with Back Lighting and LCD Display
- Operation Mode : Card(PIN/Fingerprint), Card(PIN)+Password/Fingerprint, Card(PIN)+Password+Fingerprint
- Fingerprint Registration: Up to 5,000 Users
- Easy Fingerprint Enrollment System
  - Fingerprint Enrollment Management Software (Fingerprint Enrollment Pro/FREE Version) enable the Easy Fingerprint Enrollment
- Communication (for Fingerprint Template Upload/Download)
  - IP-FINGER006T : TCP/IP, RS422,RS485,RS232
  - IP-FINGER006 : RS422,RS485,RS232
- Read Output Format : 26Bit Wiegand
- Able to Scan Fingerprint from Any Angle
- Fake Fingerprint Detection : Auto on Function & LIVE Fingerprint Detection
- Designed to Withstand ESD (Electro Static Discharge) Shock
- Compatible Controllers: iMDC, iEDC, iFDC, iTDC, iCON100, Standalone Controller, Third Party Controller
- Compatible Software: IDTECK Enterprise Series, IDTECK Standard Series, IDTECK Time Pro, Fingerprint Enrollment Pro (for Third Party Controller)

## Configuration



# IP Based Fingerprint Reader (Fingerprint/RFID/PIN/Password) IP-FINGER006T / IP-FINGER006



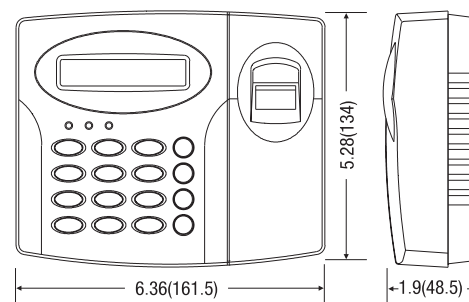
## Specifications

Model		IP-FINGER006T	IP-FINGER006
CPU		32bit ARM9, Dual 8bit Microprocessor	
Memory	Program	128KByte Flash Memory	
	Data	1MByte Flash Memory	
Fingerprint User		Up to 5,000 Users	
Fingerprint Templates Size		800Bytes for 2 Fingerprint Templates	
Radio Frequency (RF)		125KHz ASK[EM] Fomat	
Read Range (Compatible Card Type)		IPC80 / IPC170: Up to 4 Inch (10cm) IPK50 / IPW50 : Up to 2 Inch (5cm)	
Reading Time (Card)		30ms	
Verification Time		Less than 1 sec.	
Identification Time		Less than 2 sec.	
Fake Fingerprint Detection		Auto on Function & LIVE Fingerprint Detection	
Power / Current		DC +12V / Max.300mA	
Reader Data Output Format		26Bit Wiegand (Controller ↔ Reader)	
Communication		TCP/IP, RS232, RS485, RF422 (Max. 32ch) / for Fingerprint Template Upload & Download (Software ↔ Reader)	
Communication Speed	TCP/IP	10/100 Mbps	
	Serial	9,600bps (default) / 4,800bps / 19,200bps / 38,400bps / 57,600bps / 115,200bps (selectable)	
Input Port		2EA : Error-Input, OK-Input	
Output Port		3EA : Error-Output , OK-Output, Temper-Output (Open Collector Output)	
LCD / Keypad		Character LCD (2 Lines x 16 Char) / 16 Key Numeric Keypad with Back Lighting	
LED / Buzzer		7 Array LED Indicators / Piezo Buzzer	
Operating Temperature		Fingerprint Module: -20°C ~ +60°C	
		LCD: 0°C ~ +50°C	
		RF Reader: -35°C ~ +65°C	
Operating Humidity		10% ~ 90% Relative Humidity, Non - Condensing	
Color / Material		Dark Pearl Gray / Polycarbonate	
Dimension (W x H x T) / Weight		161.5mm x 134mm x 48.5mm / 547g	
Certification		FCC, CE, KCC, RoHs	

### Fingerprint Module Specification

Sensing Type	High Quality Optical Sensing
Sensing Area	13.2 x 15.2 mm
Image Resolution	500 DPI
Image Size	248 x 292 pixels
FRR	0.1%
FAR	0.001%

Inch(mm)



# IP Based Fingerprint Reader (Fingerprint/RFID/PIN/Password) IP-FINGER006 T/ IP-FINGER006



## IDTECK CO., Ltd.

3F, Ace Techno Tower Bldg, 468, Gangseo-Ro, Gangseo-gu, Seoul, 07573, Korea  
Tel. +82-2-2659-0055 | Fax: +82-2-2659-0086  
Email: [saleswebk@idteck.com](mailto:saleswebk@idteck.com) | Website: [www.idteck.com](http://www.idteck.com)

## IDTECK Global Inc.

1555 W. Redondo Beach Blvd #100, Gardena, CA 90247, USA  
Tel. +1-310-819-8115  
Email: [sales@idteckglobal.com](mailto:sales@idteckglobal.com) | Website: [www.idteckglobal.com](http://www.idteckglobal.com)

The specifications contained in this catalog are subject to change without notice at any time. Copyright © IDTECK Co., Ltd.

**IDTECK**  
Your Security Partner  
SINCE 1989